



PFCON-LTE-MDX MANUAL

PFCONNECT is a software that provides practical monitoring of combustion equipment in remote locations. PFCONNECT is a simple solution that provides actionable insights for emissions reporting requirements and appliance management.

PROFIRE



Remote Monitoring

Monitor the metrics that matter



Tracking and Recording

Parameters you care about



Near Real-Time Reporting

Available when you need it



Configurable Email and Text Notifications

Based on your process requirements



Actionable Insights

Specific to your industrial appliance



Emissions Calculations

Environmental reporting on your combustion process



Preconfigured

Out of the box installation



Minimal Upfront Investment

Low-cost operating expense



USA

Enclosed Industrial Control Panel / Panneau Industriel de Commande
Conforms to: UL 508A & UL 121201

Canada

Industrial Control Panel / Panneau Industriel de Commande
Certified to / Certifié À: CSA C22.2 #286 & #213

Electrical Ratings

12/24 Volts DC, 3 Amps
SCCR 1.0kA RMS SYM. at 120 Volts

Hazardous Location Ratings

Class 1, Div 2, Group ABCD; T4

Enclosure Ratings

Type 4/4X

Operating Temperature

0°C to 40°C

INSTALLATION WARNINGS



SUITABLE FOR USE ON A CIRCUIT CAPABLE OF DELIVERING NOT MORE THAN 3 AMPERES, 12/24 V MAXIMUM.

THIS CONTROL SHALL BE INSTALLED IN ACCORDANCE WITH THE RULES IN FORCE.

CAUTION:

THIS EQUIPMENT HAS BEEN EVALUATED WITH REGARDS TO SAFETY FROM ELECTRICAL FIRE AND SHOCK HAZARD ONLY. THE GAS/MECHANICAL FEATURES ARE NOT COVERED AND ARE SUBJECT TO APPROVAL BY THE INSPECTION AUTHORITIES HAVING JURISDICTION.

WARNING:

EXPLOSION HAZARD. DO NOT SERVICE OR OPEN ENCLOSURE UNLESS POWER HAS BEEN SWITCHED OFF OR THE AREA IS KNOWN TO BE NON-HAZARDOUS.

ADAPTÉ POUR USAGE SUR UN CIRCUIT POUVANT FOURNIR UN COURANT DE 3 MAXIMUM EN AMPÈRES POUR UNE TENSION MAXIMALE DE 12/24 V.

CETTE COMMANDE DOIT ÊTRE INSTALLÉE CONFORMÉMENT AUX RÈGLES EN VIGUEUR.

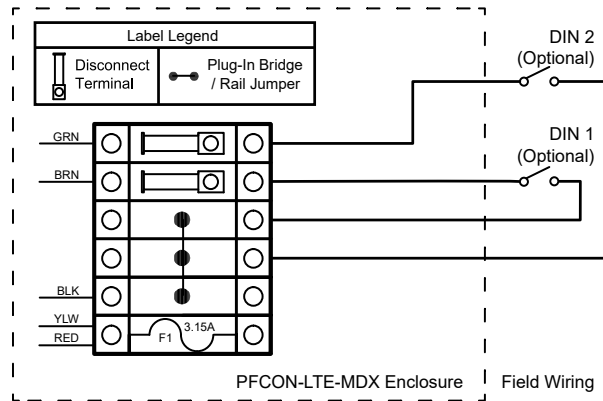
ATTENTION:

SEULE LA PROTECTION CONTRE LE FEU D'ORIGINE ÉLECTRIQUE ET LES RISQUES D'ÉLECTROCUTION DE CET ÉQUIPEMENT A ÉTÉ ÉVALUÉE. LES CARACTÉRISTIQUES DE L'ÉQUIPEMENT RELATIVES À LA MÉCANIQUE ET AU GAZ N'ONT PAS ÉTÉ EXAMINÉES ET DOIVENT ÊTRE SOUMISES À L'APPROBATION DES AUTORITÉS COMPÉTENTES EN MATIÈRE D'INSPECTION.

AVERTISSEMENT:

RISQUE D'EXPLOSION. NE PAS FAIRE D'ENTRETIEN OU DE RÉPARATION ET NE PAS OUVRIR LE BOÎTIER PENDANT QUE L'ÉQUIPEMENT EST SOUS TENSION OU SEULEMENT SI LA ZONE EST DÉTERMINÉE COMME ÉTANT SANS RISQUES/NON DANGEREUSE.

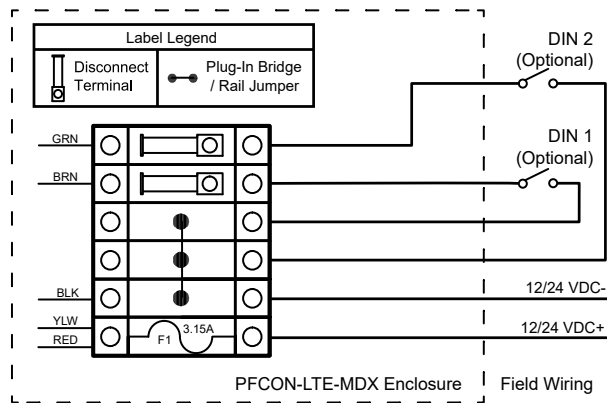
DIGITAL INPUT WIRING



Installation Notes:

1. For all field wiring refer to *PFCONNECT Fuse Chart / Wiring Diagram - PFCON-LTE-MDX* label applied to the inside of the enclosure lid.
2. All wiring must be sized and installed in accordance with applicable safety codes.
3. All cable and conduit entries into PFCON-LTE-MDX enclosure must be fitted with Type 4/4X cable connectors.
4. All terminal strip connections made inside PFCON-LTE-MDX enclosure shall be tightened to 0.6 Nm (5.3 in-lbs).
5. Cable/conduit connectors must be sealed in accordance with applicable safety codes and hazardous location requirements.
6. Use Class 1 conductors.
7. Use copper conductors only.

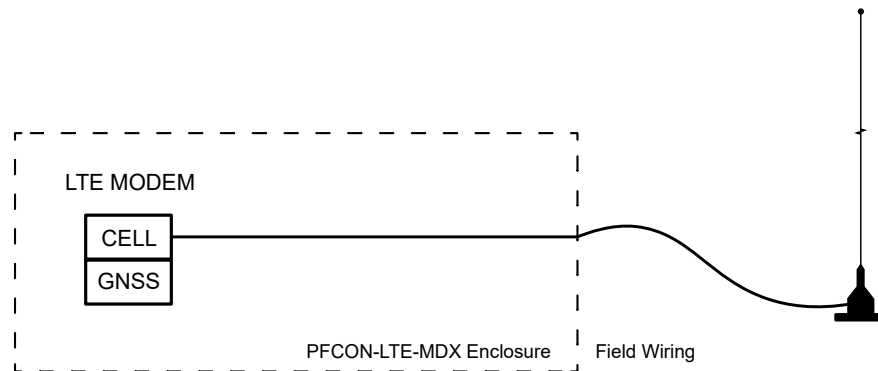
POWER WIRING



Installation Notes:

1. Power wiring must be sized and installed in accordance with applicable safety codes.
2. All cable and conduit entries into PFCON-LTE-MDX enclosure must be fitted with Type 4/4X cable connectors.
3. All terminal strip connections made inside PFCON-LTE-MDX enclosure shall be tightened to 0.6 Nm (5.3 in-lbs).
4. Cable/conduit connectors must be sealed in accordance with applicable safety codes and hazardous location requirements.
5. Use Class 1 conductors.
6. Use copper conductors only.

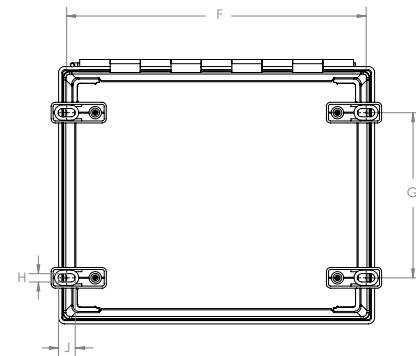
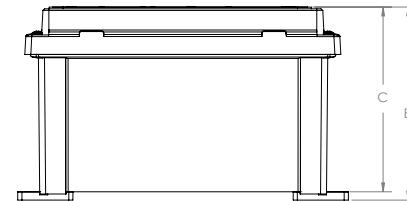
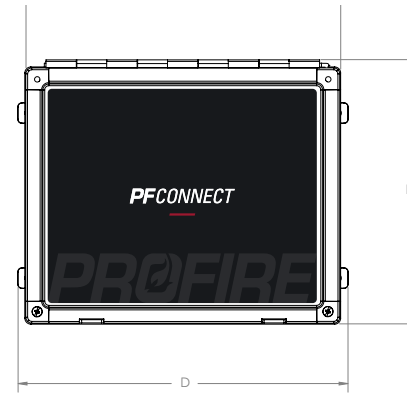
LTE ANTENNA



Installation Notes:

1. Connection to the LTE modem shall be finger tight only - Maximum torque = 1.1 Nm (9.7 in-lb).
2. Antenna should be mounted at least 20cm (8") away from the operator.
3. Cable entry into PFCON-LTE-MDX enclosure must be fitted with Type 4/4X strain relief connector.
4. Cable connectors must be sealed in accordance with applicable safety codes and hazardous location requirements.

ENCLOSURE DIMENSIONS



Lid Length:

A = 291mm (11.45")

Lid Width:

B = 243mm (9.58")

Enclosure Depth:

C = 170mm (6.70")

Width with Mounting Brackets:

D = 304mm (11.96")

Height with Mounting Brackets:

E = 178mm (7.00")

Mounting Bracket Spacing:

F = 276mm (10.85")

G = 152mm (5.98")

Mounting Hole Dimensions:

H = 8mm (0.30")

J = 16mm (0.63")



SOLUTIONS@PROFIREENERGY.COM

1.855.PRO.FIRE

321 SOUTH, 1250 WEST
SUITE 1, LINDON, UT 84042, USA

9671 283 ST
ACHESON, AB T7X 6J5, CANADA

[PRIVACY POLICY](#) | [PFCONNECT DATA AGREEMENTS](#)

PFCONNECT



PROFIBRE